

## Electric Nibbler 3.5 –7mm

Max Material Thickness:



Material Tensile Strength	Max Material Thickness
Mild Steel 400 N/mm <sup>2</sup>	7 mm
Stainless Steel 600 N/mm <sup>2</sup>	5 mm
Stainless Steel 800 N/mm <sup>2</sup>	3.5 mm
Aluminium 250 N/mm <sup>2</sup>	10 mm

Vibration Level:  
12 m/s<sup>2</sup>



**Assess risk**

### Technical Data:

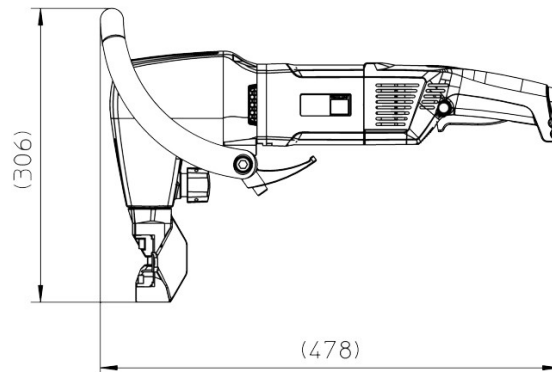
Model	Speed	Motor	Cap. Steel	Cap. S/Steel	Power	Weight
TUF 474	1.1 m/min	1500 W	*7mm	*3.5mm	110 Volt	8.3 Kg

### Punches and Dies Chart:

Description	Material Thickness	Order Number
Punch (pk of 2)	5-7 mm	1264117
Die 7 (Pk of 2)	5-7 mm	1264137
Die 5 (Pk of 2)	5mm	1264173
Punch CR High Tensile (Pk of 2)	3.5 –5 mm	1264414

### Dimensions:

Length mm	Height mm
478	306



We reserve the right to introduce changes to our product range and /or designs without prior notice