



Electric Nibbler 2.5 -5mm

Max Material Thickness:



| Material Tensile Strength | Max Material Thickness |
|---------------------------------------|------------------------|
| Mild Steel 400 N/mm ² | 5.0 mm |
| Stainless Steel 600 N/mm ² | 3.2 mm |
| Stainless Steel 800 N/mm ² | 2.5 mm |
| Aluminium 250 N/mm ² | 7 mm |

Technical Data:

Vibration Level:
14.9 m/s²



Assess risk

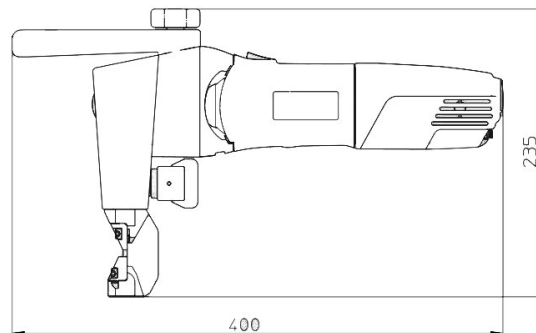
| Model | Speed | Motor | Cap. Steel | Cap. S/Steel | Power | Weight |
|---------|-----------|--------|------------|--------------|----------|--------|
| TUF 441 | 1.5 m/min | 1140 W | *5mm | *2.5mm | 110 Volt | 4 Kg |

Punches and Dies Chart

| Description | Material Thickness | Order Number |
|--------------------------------------|--------------------|--------------|
| Punch 5 (Pk of 5) | 2-5mm | 1453365 |
| Die 5 (Pk of 2) | 2-5mm | 1264132 |
| Punch CR 2/3 High Tensile (Pk of 5) | 2-3.2mm | 1453367 |
| Die CR 3. High Tensile 3mm (Pk of 2) | 2-3.2mm | 1264172 |

Dimensions

| Length mm | Height mm |
|-----------|-----------|
| 400 | 235 |



We reserve the right to introduce changes to our product range and /or designs without prior notice