

## Manual Valve, Double Acting, 240 Volt Power Pack



### Accessories:

Description	Ident. No.	Bore	End Fitting
Single Hose	TUF 1049	6mm	BSP, Metric, NTP
Twin Fused Hose	TUF 1050	6mm	BSP, Metric, NTP
Male Coupling 1/4" BSP		-	1/4" BSP
Female Coupling 1/4" BSP		-	1/4" BSP

### Single Phase: 50 HZ

Vibration Level:  
<2.5 m/s<sup>2</sup>

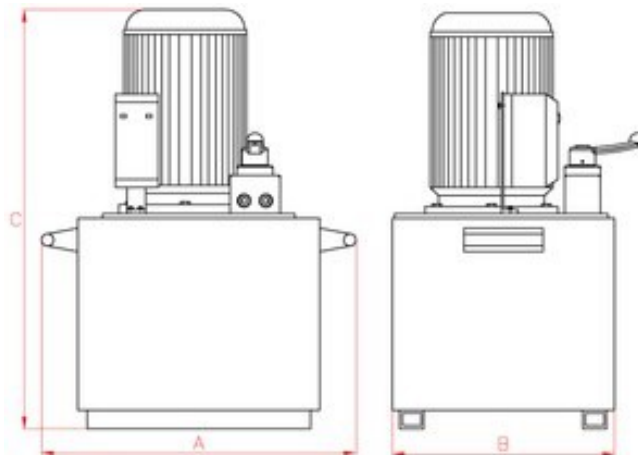


**No Limit**

### Technical Data:

Voltage	240 Volt
Total Oil Capacity cm <sup>3</sup>	12.5 Litre
Working Pressure	700 BAR
Displacement/Pump stroke, Low-press cm <sup>3</sup>	5.9 Lt / Min
Displacement/Pump stroke, High-press cm <sup>3</sup>	0.54 Lt / Min

Power	1.1
Motor	Electric
Width A	368 mm
Depth B	290 mm
Height C	548 mm
Weight	46 kg
Valve/ Ways	4/3 Double acting Advance/Hold/Retract



We reserve the right to introduce changes to our product range and /or designs without prior notice