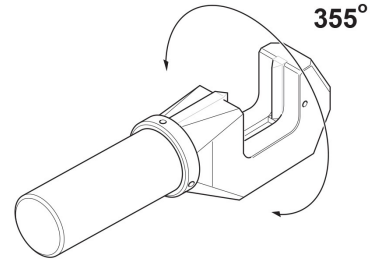


40mm Hydraulic Cutter Pedal Cutter



max. \varnothing 16 mm

Vibration Level:
 $<2.5 \text{ m/s}^2$

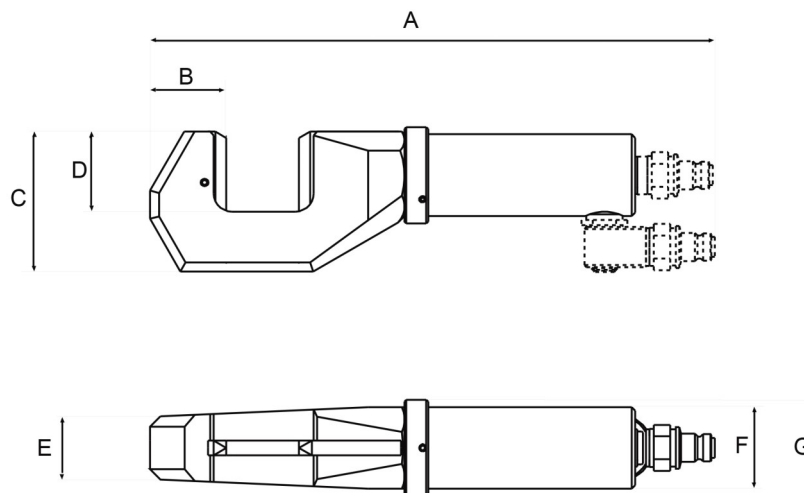


No Limit

Technical Data:

Operating pressure	630-700 bar
Opening width	40 mm
Cutting reach	40 mm
Max. cutting force	76 KN
Weight	3.5 kg

Accessories	Ident. No.
Spare Blade, Typ 40	



A	B	C	D	E	F	G
315 mm	42 mm	77 mm	44 mm	35 mm	45 mm	53 mm

We reserve the right to introduce changes to our product range and /or designs without prior notice