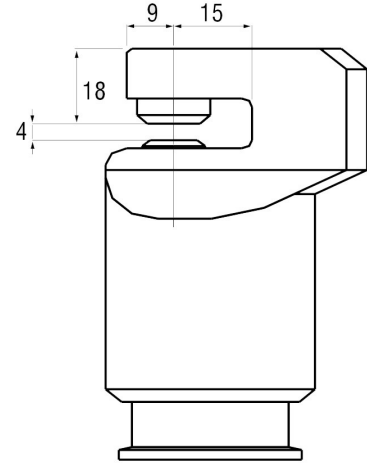
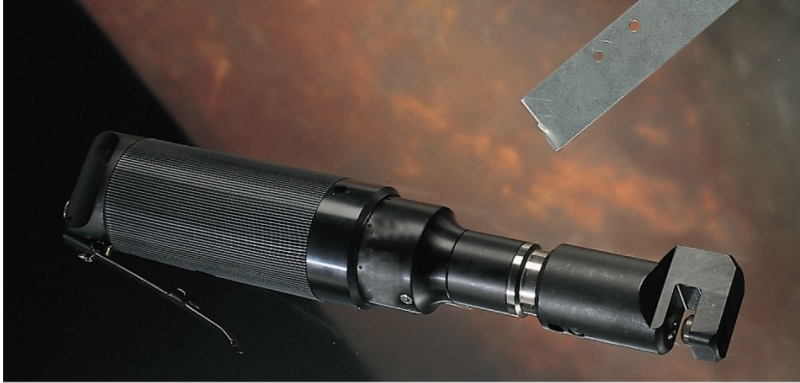




## Hole Punch, Stainless Steel and Aluminium up to 1.0mm-3.5mm

### Head Dimensions:



### Technical Data:

<b>Vibration Level:</b> $<2.5 \text{ m/s}^2$		<b>No Limit</b>	<b>Noise Level</b> <b>63 dB (A)</b>
---	--	-----------------	--

Model	Punch Pressure	Length	Dia.	Weight	Air Pressure
TUF 1626	15 kN	351mm	60mm	2.0kg	7 bar

### Punch Capacity (Plate Thickness in mm):

Punch Size	Aluminium	Steel (1311)	Stainless
4mm	3.5	3.5	2.1
5mm	3.5	2.8	1.7
6mm	3.3	2.3	1.4
7mm	2.8	2.0	1.2
8mm	2.5	1.7	1.0

\*All Dimensions in mm

We reserve the right to introduce changes to our product range and /or designs without prior notice