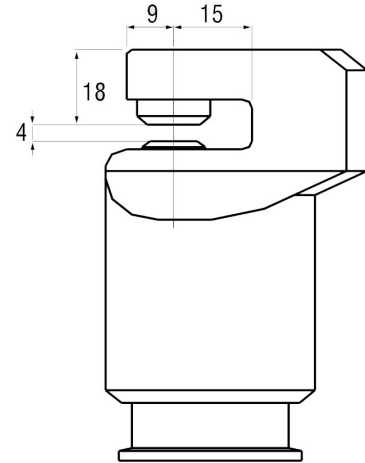




Hole Punch, Stainless Steel and Aluminium up to 0.7mm-3.3mm

Head Dimensions:



Technical Data:

Vibration Level: <2.5 m/s ²	No Limit	Noise Level 63 dB (A)
--	-----------------	---------------------------------

Model	Punch Pressure	Length	Dia.	Weight	Air Pressure
TUF 1625	10 kN	334mm	52mm	1.8kg	7 bar

Punch Capacity (Plate Thickness in mm):

Punch Size	Aluminium	Steel (1311)	Stainless
4mm	3.3	2.4	1.4
5mm	2.6	1.8	1.1
6mm	2.2	1.5	0.9
7mm	1.9	1.3	0.8
8mm	1.6	1.1	0.7

*All Dimensions in mm

We reserve the right to introduce changes to our product range and /or designs without prior notice