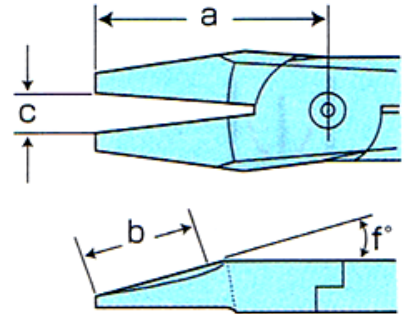




13mm Pneumatic Plastic Cutter



**TUF 1605
Standard Blade 701607**



Blade Dimensions:

a	b	c	f
65mm	38mm	15mm	15

Plastic Cutter

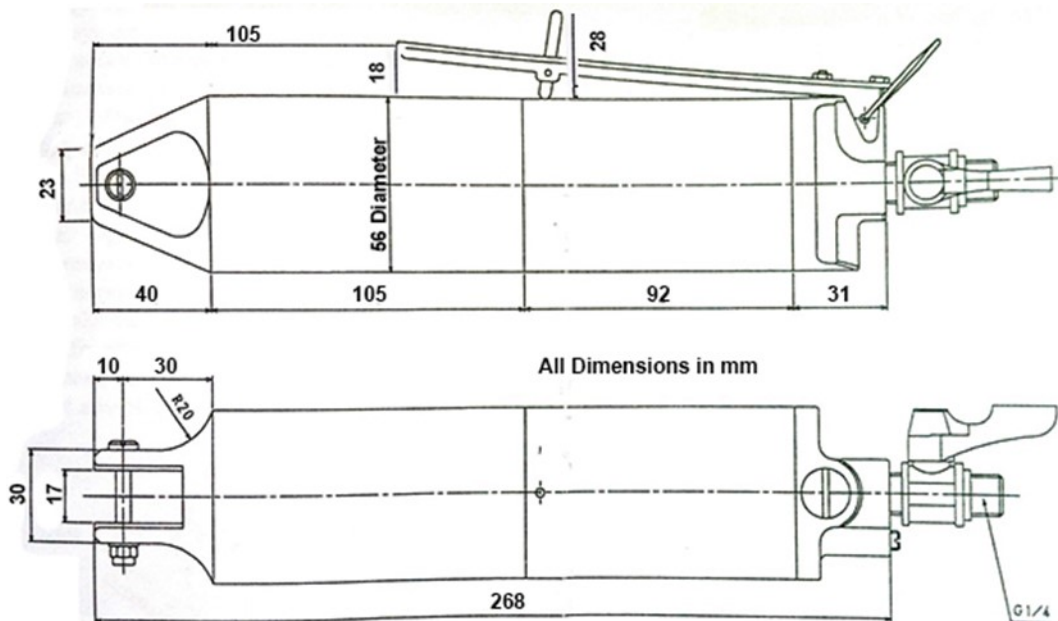
Technical Data:

**Vibration Level:
5.2 m/s²**



Medium

Model	Max.Pressure	Plastic (Soft)	Plastic (Hard)	Weight	Power (approx.)(N)	Air Consumption (cm ³ /stroke)
TUF 1605	6 BAR	13.0mm	6.5mm	1.1Kg	4,410	956



***Grip Diameter: 56mm**

We reserve the right to introduce changes to our product range and /or designs without prior notice