



Electric Nibbler 1.8-3.5mm

Max Material Thickness:



Material Tensile Strength	Max Material Thickness
Mild Steel 400 N/mm ²	3.5 mm
Stainless Steel 600 N/mm ²	2.3 mm
Stainless Steel 800 N/mm ²	1.8 mm
Aluminium 250 N/mm ²	3.5 mm

Technical Data:

Vibration Level:
6.9 m/s²

Medium

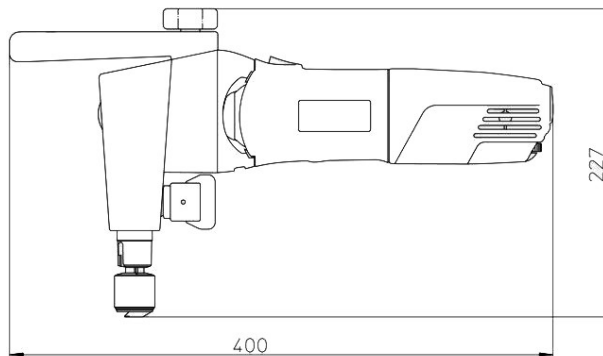
Model	Power	Motor	Cutting Speed	Cap Steel 400 N/mm ²	Cap Steel 800 N/mm ²	Weight
TUF 1581	110 Volt	1140W	1.4 m/min	3.5 mm	1.8 mm	3.7 Kg

Punches and Dies Chart:

Description	Material Thickness	Order Number
Punch Standard (Pk of 5)	3.5 mm	1264152
Die Standard (Pk of 2)	3.5 mm	1264182
Punch CR High Tensile (Pk of 2)	1.8 - 2.3mm	1264181
Die CR High Tensile (Pk of 2)	1.8—2.3mm	1264187

Dimensions:

Length mm	Height mm
400	227



We reserve the right to introduce changes to our product range and /or designs without prior notice