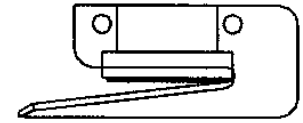




Stainless Steel Band up to 33 x 1mm



**TUF 1529
E-Type
Cutting Head**



E

Blade Information:

Blade Product Number	Blade Dimension	Noise Level
701673	37mm	63 dB (A)

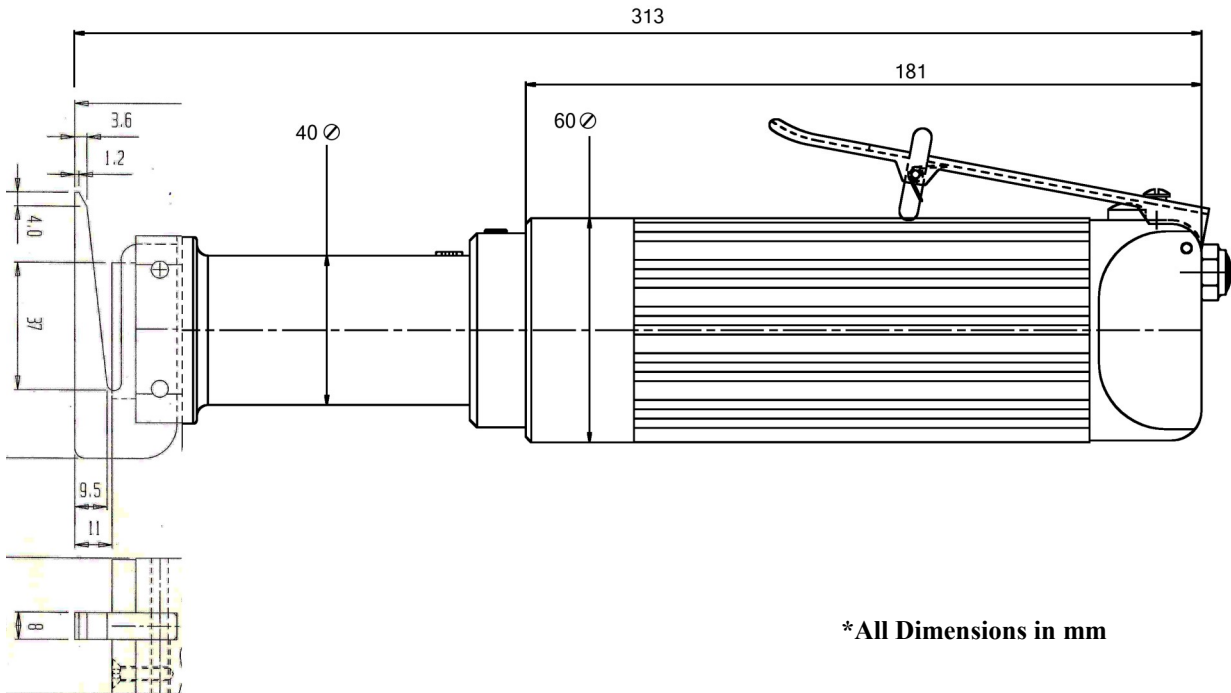
Vibration Level:
<2.5 m/s²



No Limit

Technical Data:

Model	Cutting Head	Cutting Capacity	Cutting Force	Length	Dia.	Weight	Air Pressure
TUF 1529	E	33 x 1 mm	10.0 kn	313 mm	60 mm	1.4 kg	7 Bar



***All Dimensions in mm**

We reserve the right to introduce changes to our product range and /or designs without prior notice