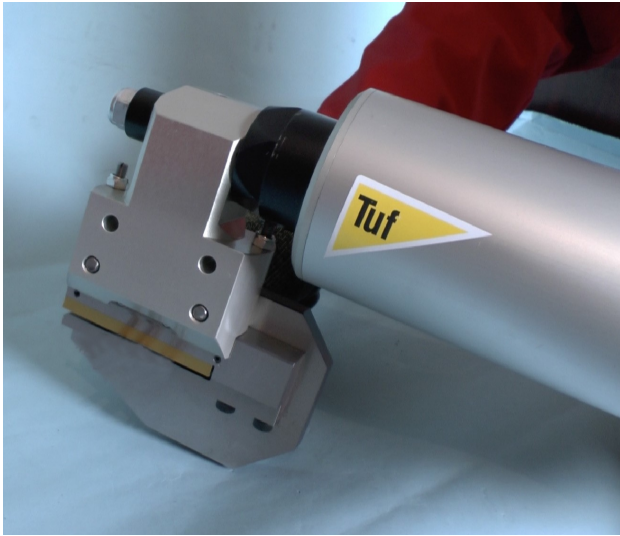


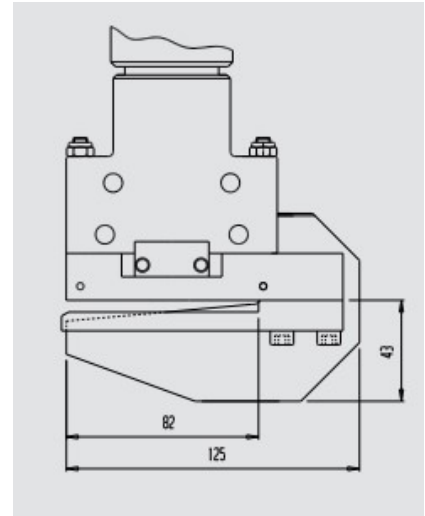


Stainless Steel Band up to 80 x 1.6mm or 50 x 2.0mm

Blade Dimensions:



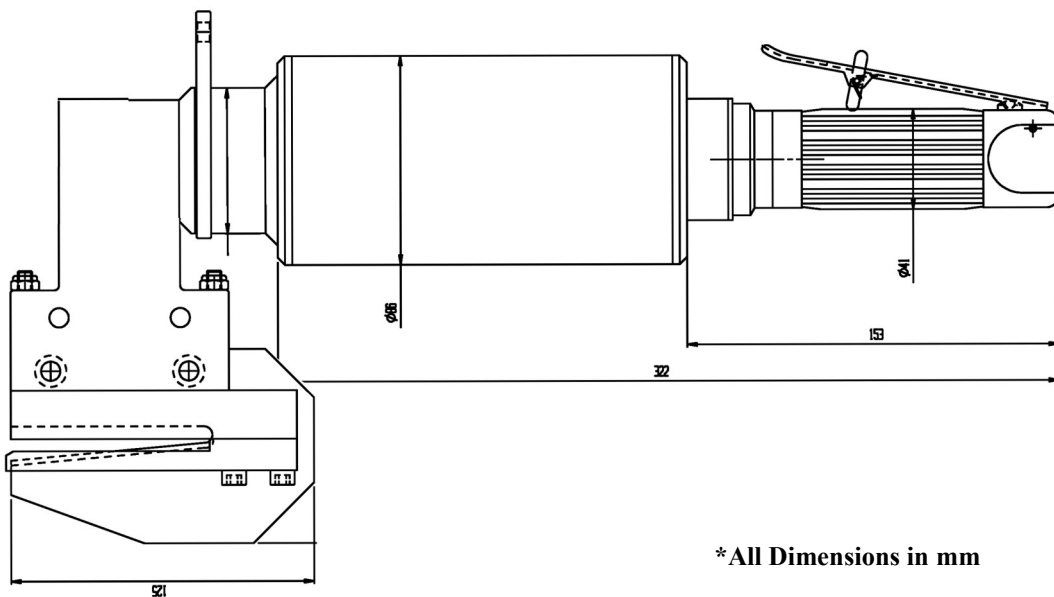
**TUF 1348
Blade Parts
Number
701736**



Technical Data:

Vibration Level: <math><2.5 \text{ m/s}^2</math>	 No Limit	Noise Level 63 dB (A)
--	---	---------------------------------

Model	Max. Dimension	Cutting Head	Length	Dia.	Weight	Air Pressure
TUF 1349	80 x 1.6mm 50 x 2.0mm	24 kn	427mm	86mm	3.7 kg	7 Bar



*All Dimensions in mm

We reserve the right to introduce changes to our product range and /or designs without prior notice