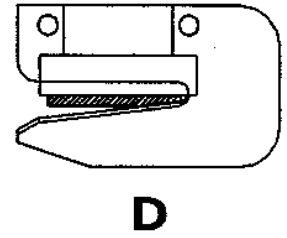




**Stainless Steel Band up to 33 x 2.5mm**



**TUF 1343  
D-Type  
Cutting Head**



**Blade Information:**

Blade Product Number	Blade Dimension	Noise Level
701673	37mm	63 dB (A)

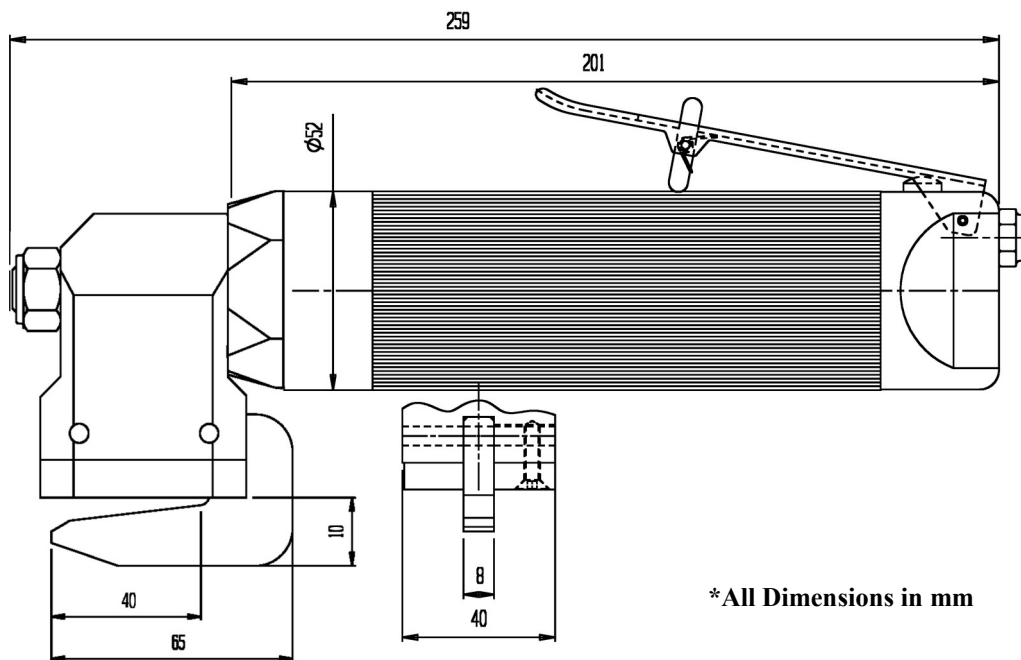
**Vibration Level:**  
<2.5 m/s<sup>2</sup>



**No Limit**

**Technical Data:**

Model	Cutting Head	Cutting Capacity	Cutting Force	Length	Dia.	Weight	Air Pressure	Air Flow
TUF 1343	D	33 x 2.5mm	14.5 kn	266 mm	52 mm	1.5 kg	7 Bar	1.6 L/ cycle



\*All Dimensions in mm

We reserve the right to introduce changes to our product range and /or designs without prior notice