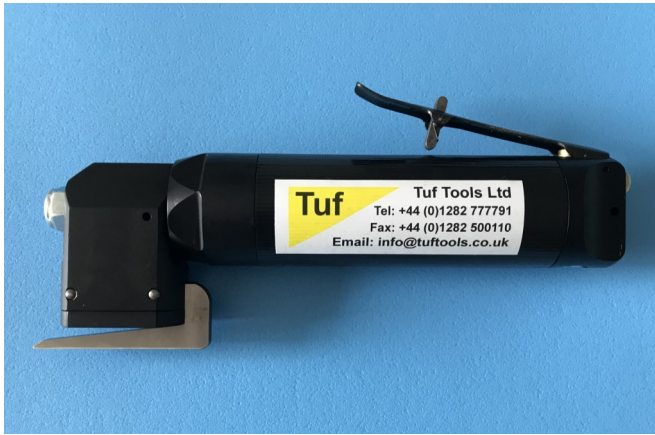
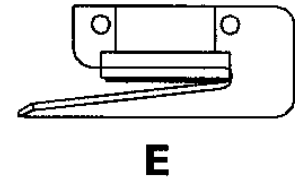




Stainless Steel Band up to 33 x 1mm



**TUF 1342
E-Type
Cutting Head**



Blade Information

Blade Product Number	Blade Dimension	Noise Level
701816	37mm	63 dB (A)

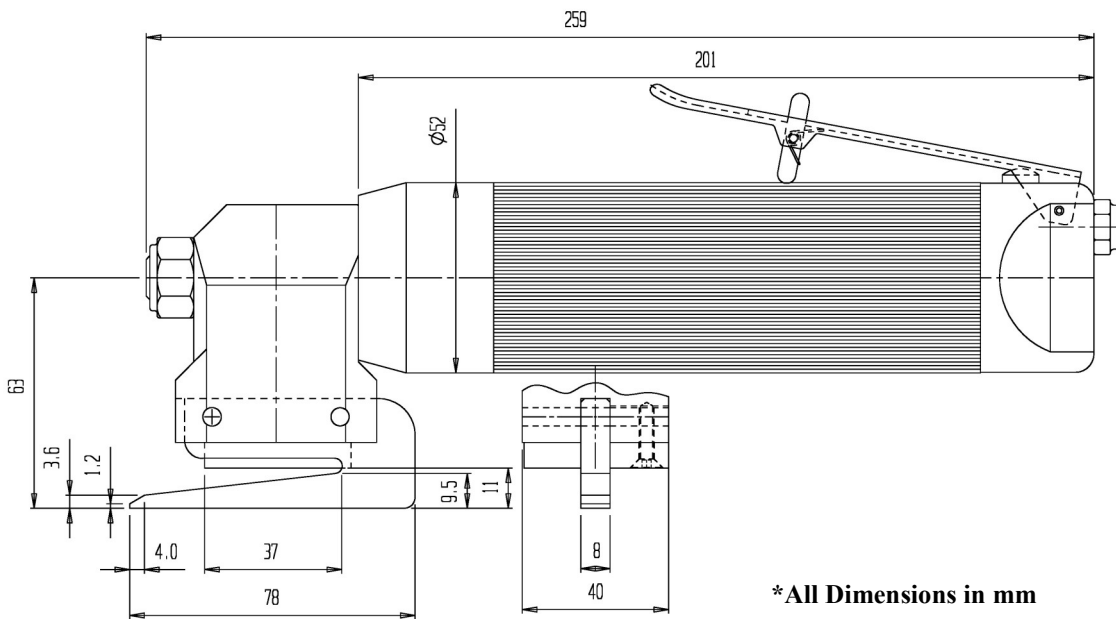
Vibration Level:
<2.5 m/s²



No Limit

Technical Data:

Model	Cutting Head	Cutting Capacity	Cutting Force	Length	Dia.	Weight	Air Pressure
TUF 1342	E	33 x 1mm	10 kn	259 mm	52 mm	1.4 kg	7 Bar



***All Dimensions in mm**

We reserve the right to introduce changes to our product range and /or designs without prior notice